

High Capacity Controls

FP63300 Series



Series FP63300

Outdoor Socket-Mounted Photoelectric Controls

Reliable controls with high switching capacity and built-in surge protection specifically designed to fit standard 4-jaw meter sockets. These spec-grade units include a deluxe surge protection as well as a 4 second time delay.

Models include a built-in 30A fuse for protection in high isokeuronic areas.

Model FP63364DE2 operates at 240Vac and has a double-pole, single-throw switching configuration for breaking both hot wires of a 208-240 system.

Application

Ideal for multiple lighting applications such as parking lots, parks, marinas, malls, institutional buildings, industrial parks, etc. Model FP63305DE2 units which are FAA approved for hi-level turn-on are frequently used to control building and tower obstruction warning lights near airports (15 mile radius).

Specifications

Photocell:

Cadmium sulfide (CdS).

Housing:

Polycarbonate.

Base:

4-jaw black phenolic

Surge Arrester:

Incorporates a 190J MOV + 380J MOV + Zener.

Turn-On:

Factory set per model number.

Turn-On:Turn-Off Ratio:

1:1.5 nominal.

Time Delay:

4 seconds nominal.

Rated Life:

5000 On-Off operations.

Temperature Range:

- 40° to + 70°C
- 40° to +158°F

Line Frequency:

50/60 Hz.

Switching Capacity:

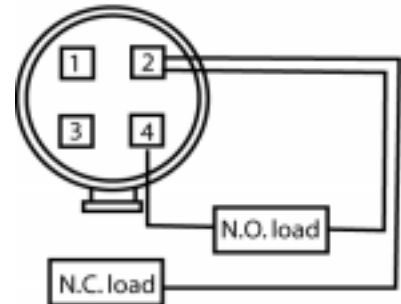
30A per pole
3000W tungsten
3000VA HID ballast

Load Fusing:

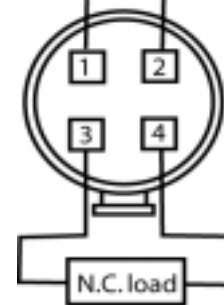
30A cartridge

Wiring Diagrams

120V Neutral



240V



Ordering Information

Model Numbers	Supply Voltage (50/60Hz)	Load Rating (watts)	Load Contactor	Turn-on Foot Candles (factory setting)	Turn-off Foot Candles (maximum foot candle)	Interchangeable with Model Number
FP63300DE2	105-130	3000	SPDT DB	1.0 ± .25	3.0	63300C 63300D 63320 63300DA2 63300DE2 N6330E N6330A
FP63305DE2	105-130	3000	SPSTNC DB	35 ±5.0	65	63305 63305C 633050 63305DA2 N6335A
FP63303DE2	105-130	3000	SPST DB	1.0 ± .25	3.0	63303DA2 63303DE2
FP63364DE2	210-250	3000	DPST	1.0 ± .25	3.0	63304C 63364C 63364D 63364DA2 N6364A 63364DE2

* FAA approved for hi-level turn-on: 35± 5fc.