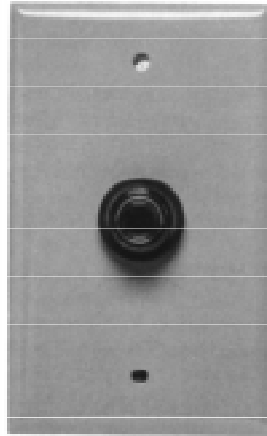
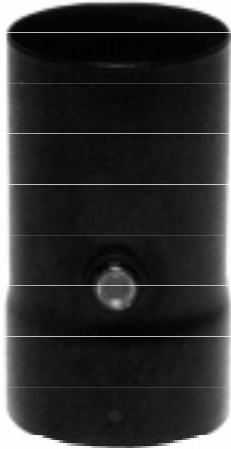


Wire-In Photoelectric Controls

FA Series



Post Collar

The photocontrol is coupled with a black 3" adapter collar. Ideal for conversion from manual to automatic control of post lanterns or decorative light fixtures.

Dimensions: Top inside dia.: 2.88"
Bottom inside dia.: 3.0"
Height: 5.41"

Ordering Information

Model	Line Voltage	Load Rating	
		Tungsten	HID Ballast
FPFA105P	120	1800W	1000VA
FPFA1068P	208-277	1800W	1000VA

Wall Plate

The wall plate package is constructed of a photocontrol mounted to a painted gray aluminum wall plate which will fit standard outlet boxes. Complete with gasket and mounting screws.

Dimensions: Wall plate: 4.55"H; 2.80"W
Control: 2.062"L; 1.00"W;
1.53"D

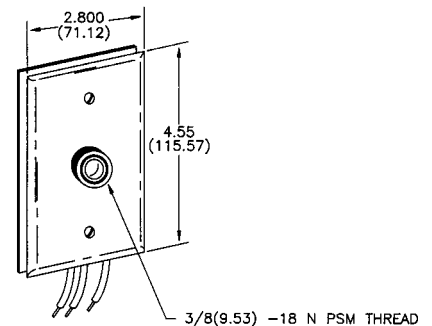
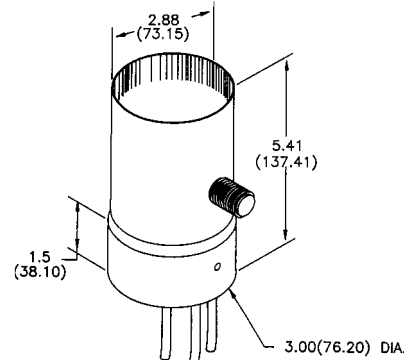
Application

The FA Series wall plate/control fits a standard single-gang outlet box and is ideal for entrance, porch and open public areas where unobtrusive flush-mounting is required (pools, parking lots, marinas, etc)

Ordering Information

Model	Line Voltage	Load Rating	
		Tungsten	HID Ballast
FPFA105W	120	1000W	1000VA
FPFA1068W	208-277	1000W	1000VA

FA Series Mechanical Diagrams



*Notification: Units manufactured with date codes from 3/04 - 3/06 may have been improperly marked with the UL logo. This was due to UL not officially listing a new manufacturing location. There is no physical change in the UL Listed products.