

Electronic Timer Switches

FE100C Series



7 Day and 24-Hour Electronic Time Switches

The 7-day FE100C and FE171C are digital electronic, single channel time controls. They feature 16 events per day programmability for flexible daily schedules and include a skip days function

Both units are easy to schedule and simple to understand as they represent the "set and forget" industry standard. Up to the minute scheduling and built in special capacitor carry-over is the low-cost answer to reliable operation without spring-wound or battery carry-over. Manual override switch is available for both models. Minimum ON/OFF time for both units is 1 minute

Application

Ideal for automatic, reliable-to-the-minute switching of motor loads and/or lighting contactors which require exact timing (i.e. filtration systems, process equipment, gas station lighting, livestock feeders, building air circulation systems, security lighting etc.).

Specifications

Operating Voltages:

- FE100C 120Vac
- FE171C 208-277Vac

Switch Type:

SPDT No Contacts

Output Switch Ratings:

- 20Amp resistive at 120Vac
- 1hp at 120Vac, 2hp at 240Vac
- 5 amp tungsten at 120-240Vac
- 6 amp ballast at 120-277Vac,
- 50/60hz

Wiring Terminals:

Accommodates from AWG #16 to AWG #10 wire.

Operating Temperature Range:

-40° to +140° F

Enclosure:

Case NEMA 1 drawn steel enclosure with lockable hasp. The case has round mounting holes on the back and combination knockouts (1/2" and 3/4") on each side, one on the bottom and one in the back.

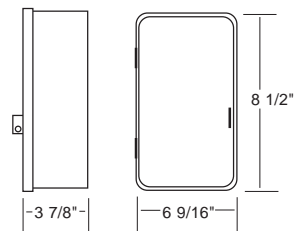
Shipping Weight:

2.0 lbs (0.9 kg)

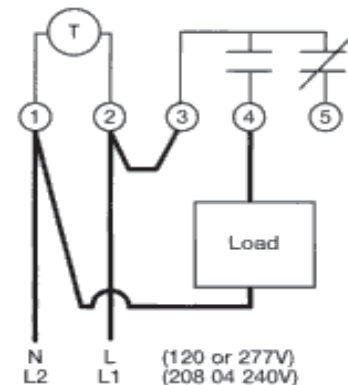
Dimensions:

8 1/8" H x 4 1/4" W x 3" D

Mechanical Diagram



Wiring Diagram



Ordering Information

| Model | Switch | Contact Rating |
|--------|--------|----------------|
| FE171C | SPDT | 120VAC |
| FE174C | SPDT | 208-277VAC |

Other configurations available, please contact factory