

# High Capacity Controls

## FP63300 Series



Series FP63300

### Outdoor Socket-Mounted Photoelectric Controls

Reliable controls with high switching capacity and built-in surge protection specifically designed to fit standard 4-jaw meter sockets. These spec-grade units include a deluxe surge protection as well as a 4 second time delay.

Models include a built-in 30A fuse for protection in high isokeuronic areas.

Model FP63364DE2 operates at 240Vac and has a double-pole, single-throw switching configuration for breaking both hot wires of a 208-240 system.

### Application

Ideal for multiple lighting applications such as parking lots, parks, marinas, malls, institutional buildings, industrial parks, etc. Model FP63305DE2 units which are FAA approved for hi-level turn-on are frequently used to control building and tower obstruction warning lights near airports (15 mile radius).

### Specifications

**Photocell:**

Cadmium sulfide (CdS).

**Housing:**

Polycarbonate.

**Base:**

4-jaw black phenolic

**Surge Arrester:**

Incorporates a 190J MOV + 380J MOV + Zener.

**Turn-On:**

Factory set per model number.

**Turn-On:Turn-Off Ratio:**

1:1.5 nominal.



Model FPN4AFA  
4 Jaw Meter Socket

**Time Delay:**

4 seconds nominal.

**Rated Life:**

5000 On-Off operations.

**Temperature Range:**

- 40° to + 70°C  
- 40° to +158°F

**Line Frequency:**

50/60 Hz.

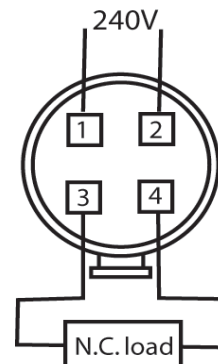
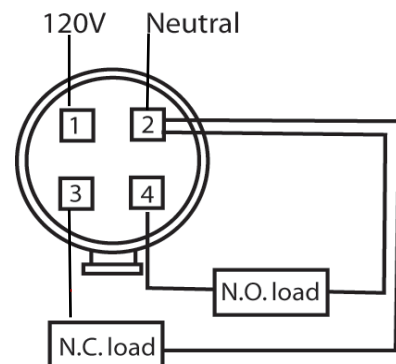
**Switching Capacity:**

30A per pole  
3000W tungsten  
3000VA HID ballast

**Load Fusing:**

30A cartridge

### Wiring Diagrams



### Ordering Information

Model Numbers	Supply Voltage (50/60Hz)	Load Rating (watts)	Load Contactor	Turn-on Foot Candles (factory setting)	Turn-off Foot Candles (maximum foot candle)	Interchangeable with Model Number
FP63300DE2	105-130	3000	SPDT DB	1.0 ± .25	3.0	63300C 63300D 63320 63300DA2 63300DE2 N6330E N6330A
*FP63305DE2	105-130	3000	SPSTNC DB	35 ±5.0	65	63305 63305C 63305D 63305DA2 N6335A
FP63303DE2	105-130	3000	SPST DB	1.0 ± .25	3.0	63303DA2 63303DE2
FP63364DE2	210-250	3000	DPST	1.0 ± .25	3.0	63304C 63364C 63364D 63364DA2 N6364A 63364DE2

\* FAA approved for hi-level turn-on: 35± 5fc.